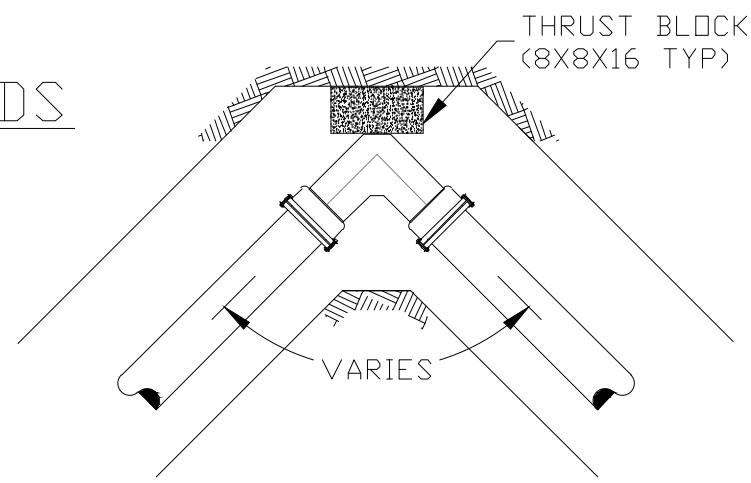


VERTICAL BENDS SHALL NOT EXCEED 45°

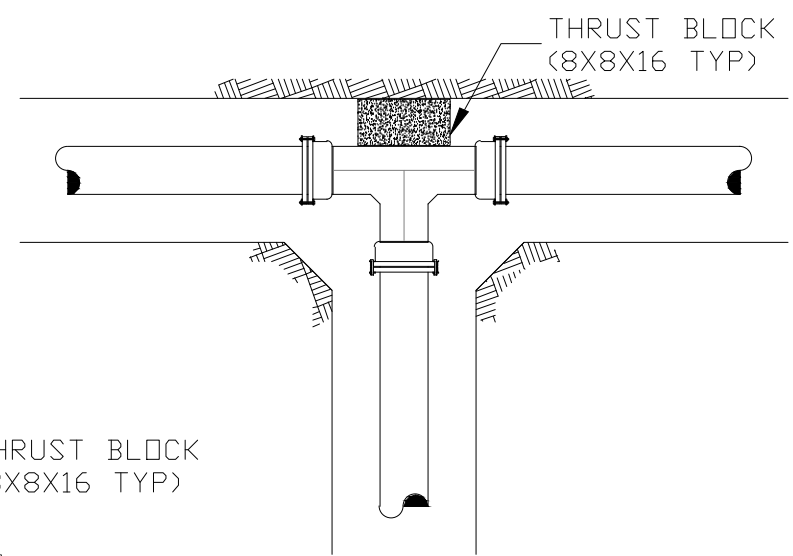
VERTICAL BENDS



THRUST BLOCK (8X8X16 TYP)

VARIES

BENDS



THRUST BLOCK (8X8X16 TYP)

TEE

\*\*\*ALL FITTINGS SHALL BE RESTRAINED JOINT USING MEGALUG SERIES 1100 WITH STAINLESS STEEL BOLTS OR APPROVED EQUAL.

WATERMAIN FITTINGS DETAIL

01/30/07 KRL

N.T.S.