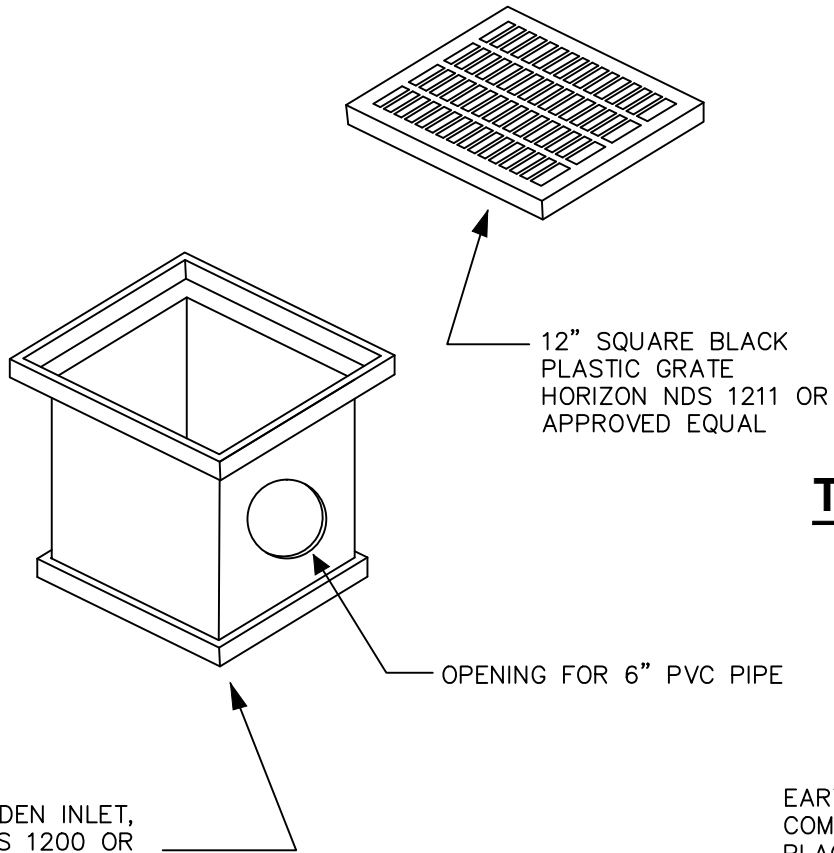


# 12"X12" GARDEN INLET W/ GRATE



FOR UNDERGROUND UTILITY

LOCATIONS CALL

**J.U.L.I.E.**

TOLL FREE

TEL 1-800-892-0123

## TRENCH SECTION IN GRASS AREAS

