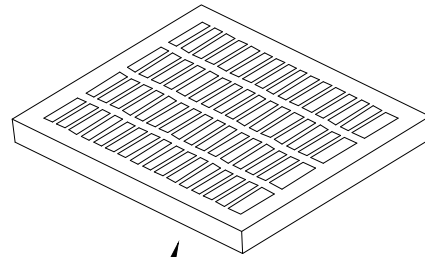
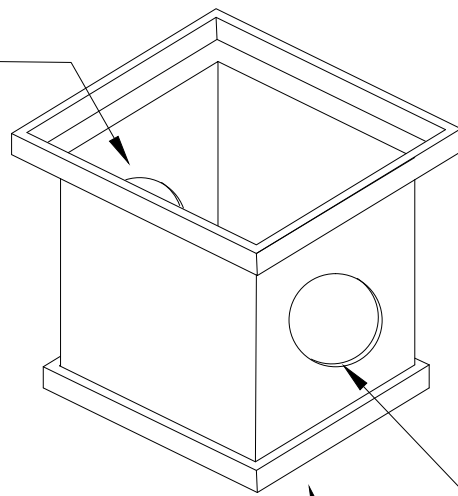


UNUSED OPENINGS
SHALL BE COVERED
WITH MANUFACTURER
APPROVED PARTS



12" SQUARE GREEN
PLASTIC GRATE NDS
1212 OR APPROVED
EQUAL

12"x12" GARDEN INLET
NDS 1200 OR
APPROVED EQUAL

PIPE CONNECTIONS
SHALL BE MADE WITH
MANUFACTURER
APPROVED PARTS

GARDEN INLET DETAIL

06/14/04 KRL
01/25/07 KRL

N.T.S.