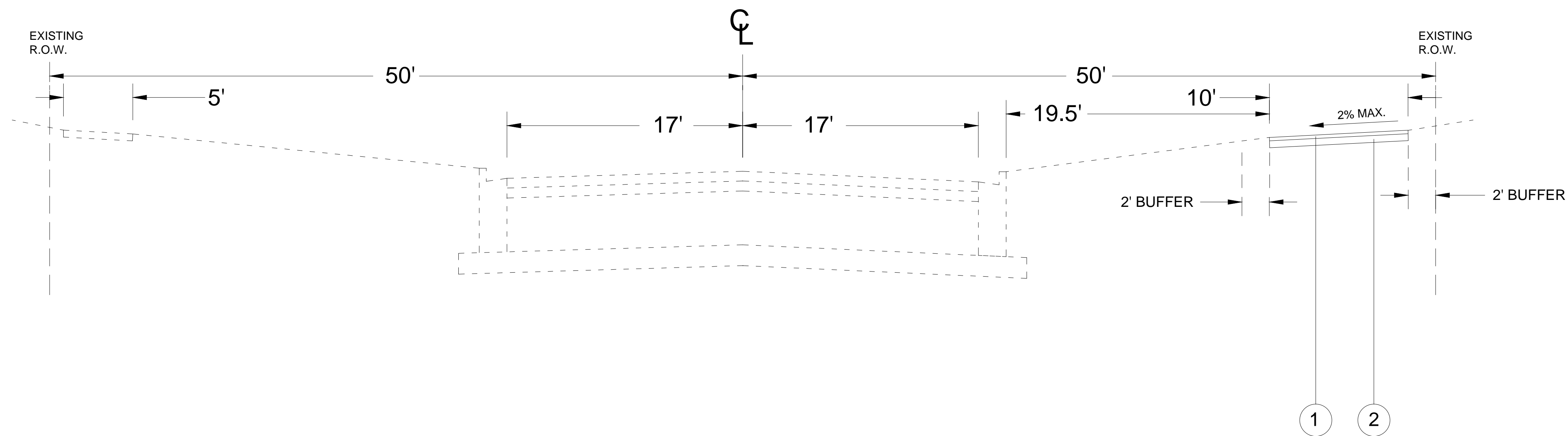


EXISTING TYPICAL SECTION

GLEN ELLYN ROAD
STA. 0+00 to STA. 19+00

LEGEND - EXISTING

- (A) EXISTING PCC SIDEWALK
- (B) EXISTING CONCRETE CURB AND GUTTER
- (C) EXISTING HMA SURFACE & BINDER , 6"



PROPOSED TYPICAL SECTION

GLEN ELLYN ROAD
STA. 0+00 to STA. 19+00

LEGEND - PROPOSED

- (1) HOT-MIX ASPHALT SURFACE COURSE, 3"
- (2) 8" AGGREGATE BASE COURSE, CA-6

PREPARED BY:



VILLAGE OF BLOOMINGDALE
201 S. Bloomingdale Road
Bloomingdale, IL 60188
(630) 893-7000

DATE: 1-22-16
SCALE: nts
DRAWN BY: [Signature]
APPROVED BY:

STATE OF ILLINOIS
DEPARTMENT OF TRANSPORTATION

TYPICAL SECTIONS

FAU RTE	SECTION	COUNTY	TOTAL SHEETS	SHEET NO.
-	05-00051-00-BT	DUPAGE	3	1
		ILLINOIS	CONTRACT NO.	